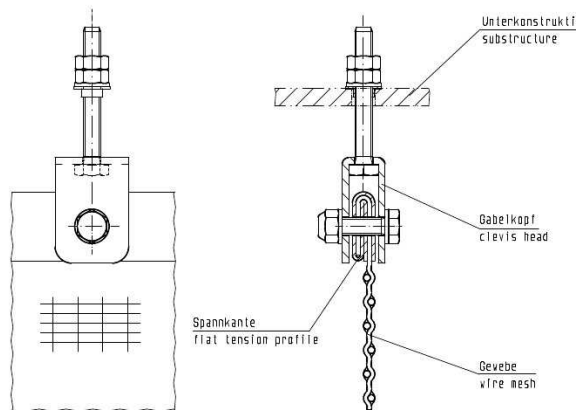
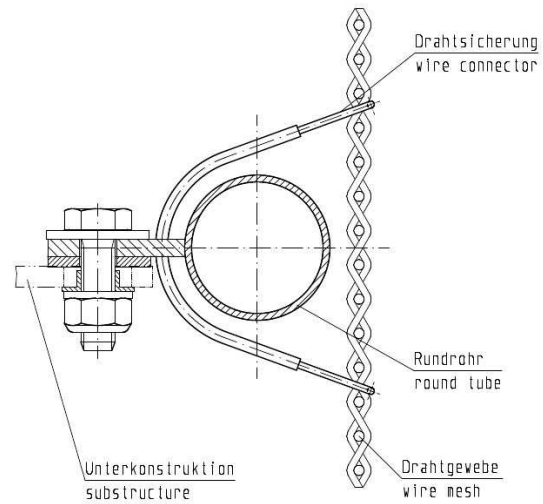


Solutions. Technology for your ideas.

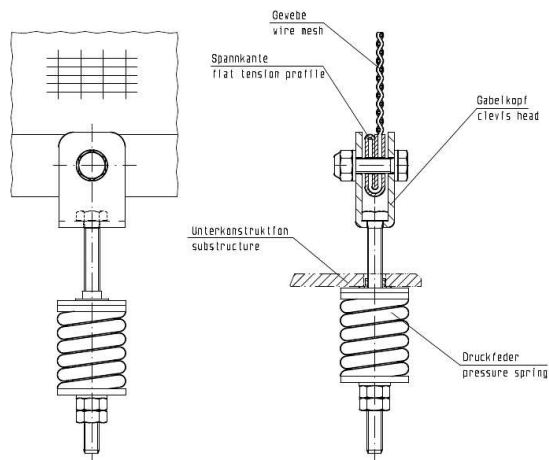
Top mounting:



Intermediate mounting:



Bottom mounting:



Vertical mounting systems Other wire cloth - Overview

HAVER & BOECKER
Ennigerloher Straße 64
D-59302 OELDE
Germany

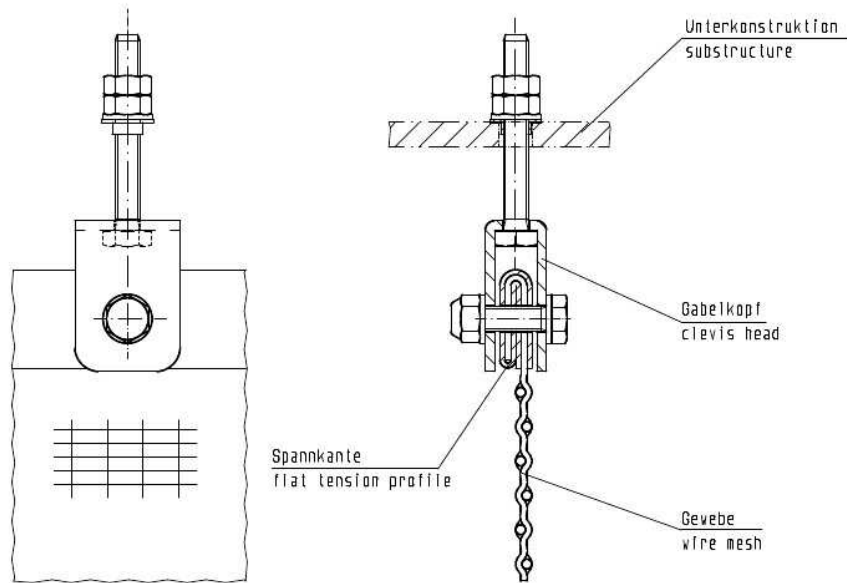
Telefon: +49-(0) 25 22-30 684
Fax: +49-(0) 25 22-30 767
E-Mail: architektur@haverboecker.com
Internet: www.diedrahtweber.com

HAVER & BOECKER



DIE DRAHTWEBER

Solutions. Technology for your ideas.



A flat tension profile (tension strip) is equipped with clevis screws. Using the bolts the mesh element is suspended into the substructure. At the same time the bolts are used to apply tension at the top tensioning point.

Vertical mounting system Other wire cloth – top mounting

HAYER & BOECKER
Ennigerloher Straße 64
D-59302 OELDE
Germany

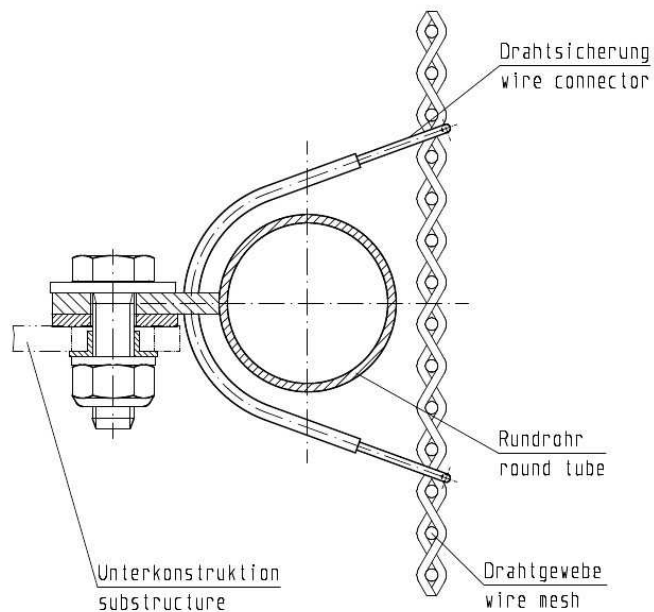
Telefon: +49-(0) 25 22-30 684
Fax: +49-(0) 25 22-30 767
E-Mail: architektur@haverboecker.com
Internet: www.diedrahtweber.com

HAYER & BOECKER



DIE DRAHTWEBER

Solutions. Technology for your ideas.



With proper opening sizes wire cloth elements can be mounted with wire connectors, which wrap around a tube, that is located behind the mesh. The connectors interlock with the mesh from the back. Standing in front of the element this mounting system is almost invisible.

Vertical mounting system Other wire cloth – intermediate mountings

HAYER & BOECKER
Ennigerloher Straße 64
D-59302 OELDE
Germany

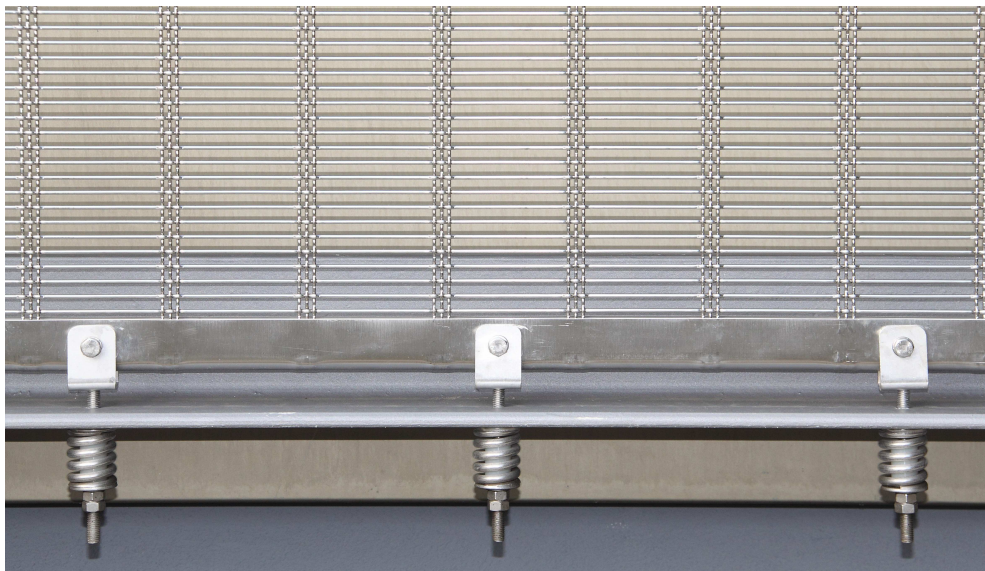
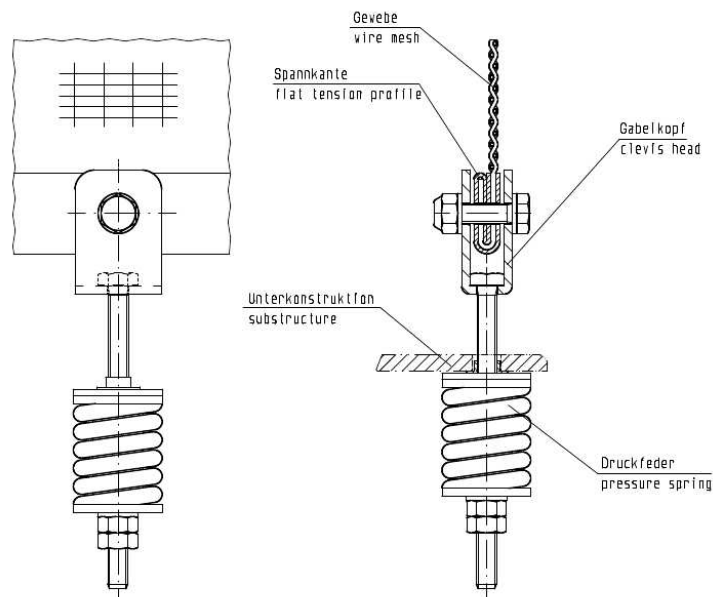
Telefon: +49-(0) 25 22-30 684
Fax: +49-(0) 25 22-30 767
E-Mail: architektur@haverboecker.com
Internet: www.diedrahtweber.com

HAYER & BOECKER



DIE DRAHTWEBER

Solutions. Technology for your ideas.



For bottom mountings the use of flat tension profiles is recommended. Proper tensioning is achieved with clevis screws that are attached to the flat tension profile.

Especially in exterior applications structural characteristics require the use of additional pressure springs. They lend sufficient elasticity to the mesh when exposed to respective loads.

Vertical mounting systems Other wire cloth – bottom mountings

HAYER & BOECKER
Ennigerloher Straße 64
D-59302 OELDE
Germany

Telefon: +49-(0) 25 22-30 684
Fax: +49-(0) 25 22-30 767
E-Mail: architektur@haverboecker.com
Internet: www.diedrahtweber.com

HAYER & BOECKER



DIE DRAHTWEBER